

Product Features

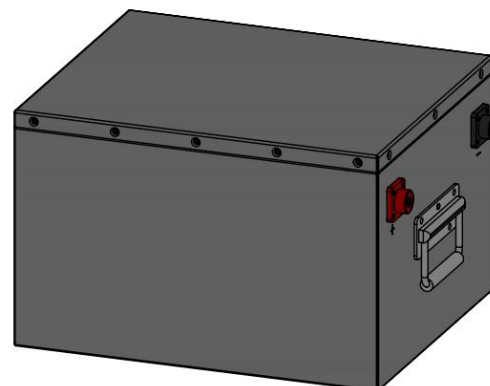
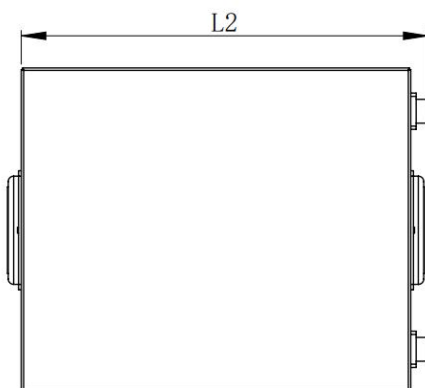
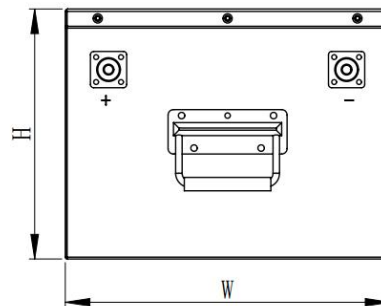
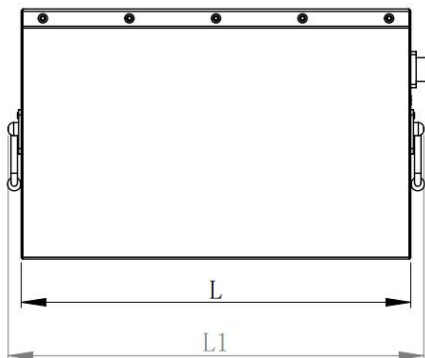
Applied to golf carts, AGV, Energy storage, RV, etc.

- Safe and reliable circuit designed.
- Intelligent electricity calculation, data storage, protection of over-current, over-charge, over-discharge over-temp, short circuit .
- Provide balancing function.
- Long cycle life, wide working temp range, can replace lead-acid battery.
- Bluetooth function, support android & apple ios system.
- Reserved RS485 interface, convenient program upgrade or communicate with the computer.

Appearance and size

Dimension:

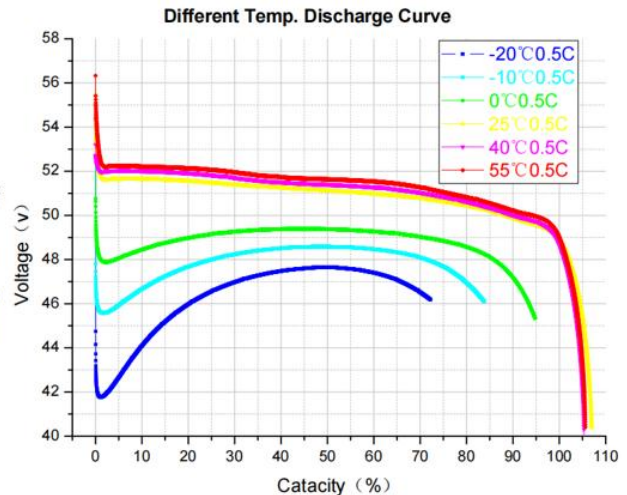
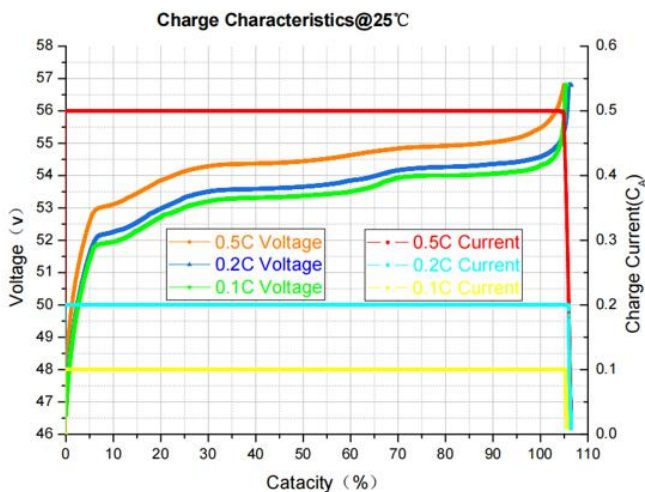
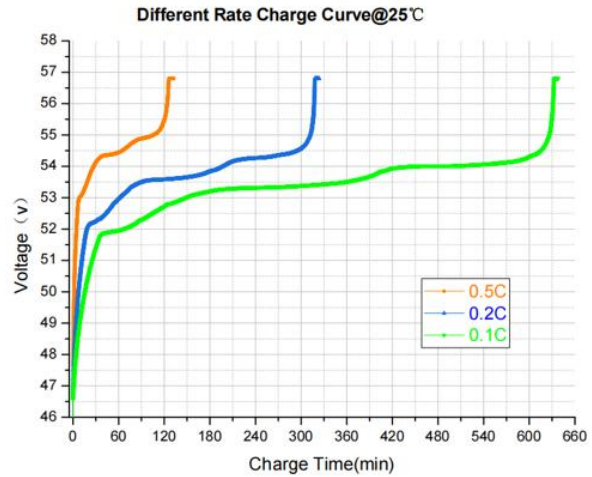
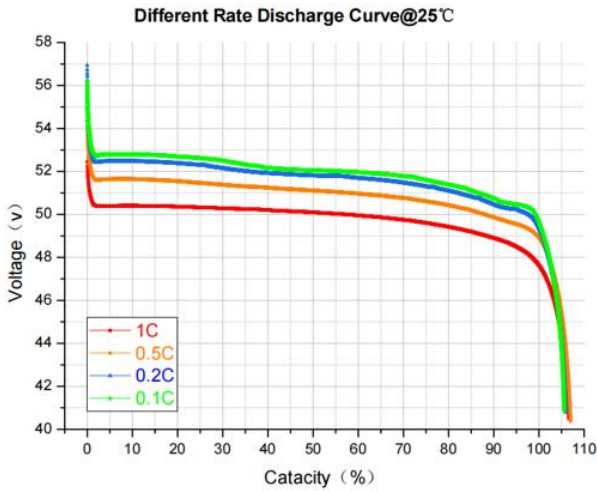
No.	Item	Size($\pm 2\text{mm}$)	Note
1	Length (L)	360	
2	Width	300	
3	Height	231	
4	Length (L1)	$384 \pm 5\text{mm}$	
5	Length (L2)	$376 \pm 5\text{mm}$	



Technical Specifications

GENERAL INFORMATION		
Basic parameters	Document NO.	EV-P-016100-MG02
	Cell type	LiFePO4 pouch cell
	Rated capacity	3840 Wh @C2, 25°C
	Rated voltage	38.4V _{DC}
	Working voltage range	31.2V ~ 43.8V
	Cycle life@100%	≥ 2500 cycles (5120Wh@C2, 25°C)
	Cycle life@80%	≥3000 cycles (4096Wh@C2, 25°C)
	Size	360mm x 300mm x 231mm (L x W x H)
	Weight	Approx35kg
	48V terminal	M8
	Shell material	Q235
Charge	Charge mode	At 0°C~55°C temperature, charged to43.8V at a constant current of 30A, and then, changed continuously with constant voltage of 43.8V until the current was not more than 2A.
	Recommended charge current	30A
	Max charge current	50A continuous(25°C)
	Max charge voltage	43.8 V DC
Discharge	Max continuous discharge current	100A continuous (25°C)
	Maximum discharge current of 5S	(400A) @ (25°C)
	Maximum discharge current of 30S	(300A) @ (25°C)
	Discharge protection voltage	41.6 V
	Self-discharge	≤ 3% per month
	12V Output terminal	≤8A
Using environment	Charging temperature range	0°C to 45°C(32°F to 113°F) @60±25% Relative Humidity
	Discharge temperature range	-20°C to 60°C(-4°F to 140°F) @60±25% Relative Humidity
	Storage temperature range	0°C to 45°C(32°F to 113°F) @60±25% Relative Humidity
	Enclosure IP grade	IP54
BMS Battery pack performance	Overcharge protection function	Yes
	Over-current protection function and parameters	Yes, 250 A @10 S
	Feedback brake protection function and parameters	Yes, 120A @ 10 S
	Short circuit protection function	Yes
	Temperature protection range	Yes
	Recovery method after the above protection	Bluetooth restart
	Balanced performance	Yes
	Bluetooth automatic sleep time	3600S
	Bluetooth activation method	Automatic activation of charging or discharging
	Battery external communication method	Bluetooth&RS485
Certification	UN38.3,CE,UL	Yes

Performance Curve



Points for Attention

- Do not short-circuit battery.
- Do not charge lithium battery by lead acid battery charger.
- It is forbidden to put the LCD screen(optional) in the sun. It is easy to damage this parts.
- If in long-term storage, check the power in time at least every 3 months. When the battery power is less than 10%, please charge it over 30%(soc≥30%) at least.
- It is forbidden to immerse the battery in water directly, and forbidden to wash the outside.
- 15~45°C charging temperature is suggested, which is beneficial to get better battery performance.